

PEC Power Take-Offs & Quality Clutch Parts

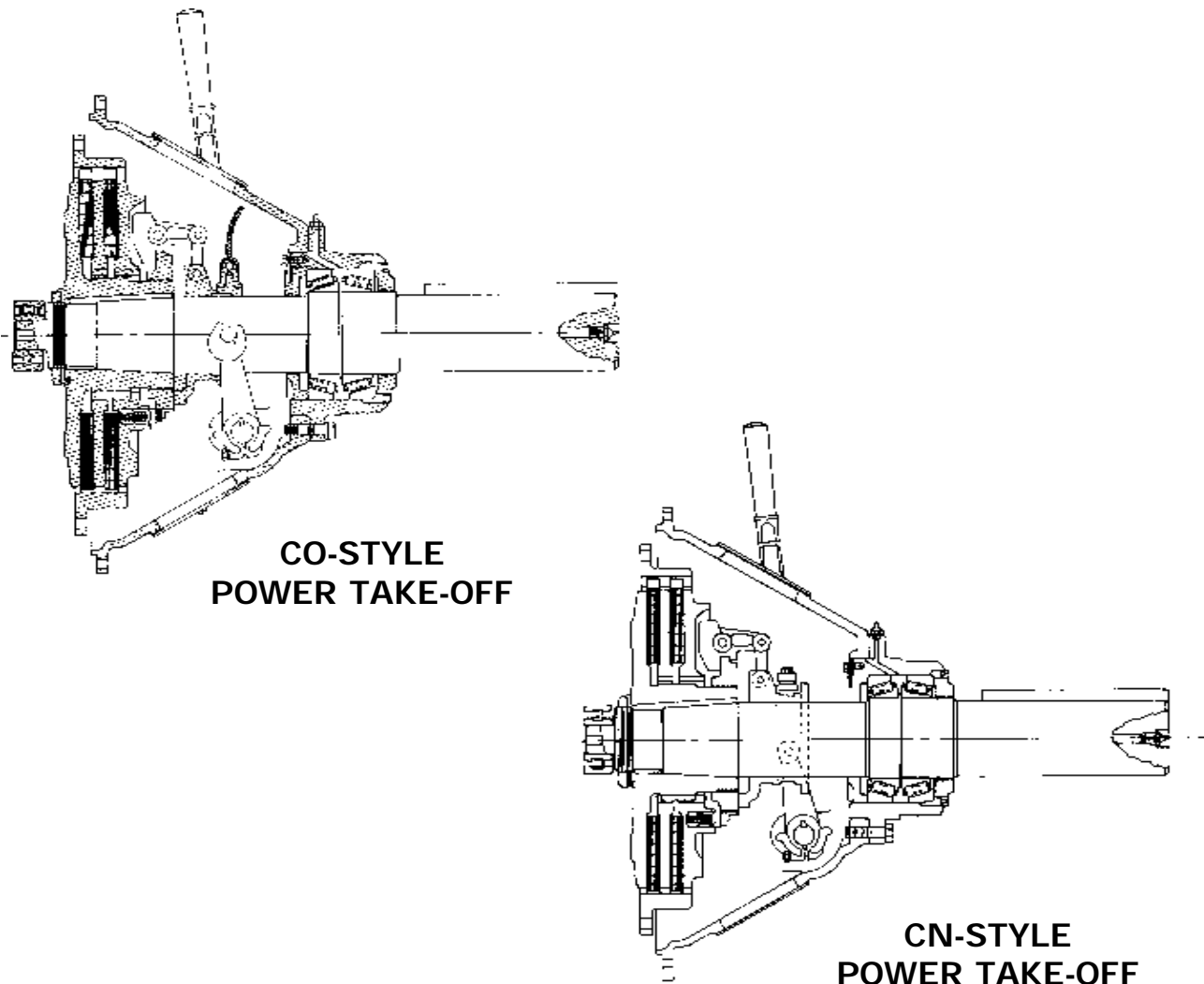
PEC Power Take-Offs are designed to fit all internal combustion engines with standard SAE flywheel housing dimensions from No. 6 through No. 0. The clutches range in size from one plate 6" to three plate 14". Suitable power take-offs are available for use with engines in industrial installations up to 583 horsepower.

A Power Take-Off consists of a complete clutch assembly with shaft and bearings mounted in a cast iron housing that provides for easy engine installation.

PTO's are used as a standard method for transmitting the power of engines in a great variety of industrial applications such as: air compressors, agricultural machinery, pump drives, crushers, road building machinery, cranes and shovels, oilfield service, etc.

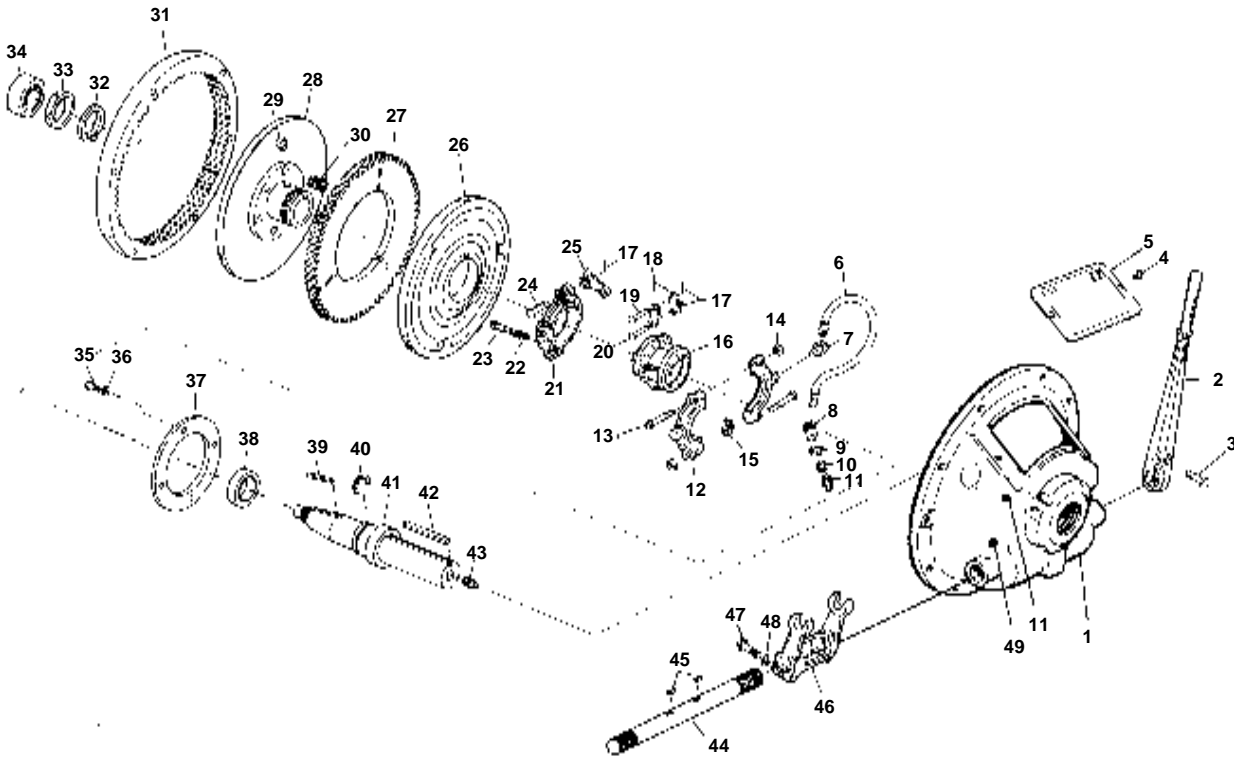
PEC offers power take-offs for all industrial engines with sealed pilot bearings to eliminate the lubrication requirement and shaft rifle-drilling normally encountered with standard pilot bearings.

Actual design torque capacity of the clutches used in power take-offs is in excess of the horsepower rating listed. This permits PEC power take-offs in proper adjustment to withstand temporary torque overloads. Rated torque can be transmitted while moderately slipping during short periods without permanent damage.

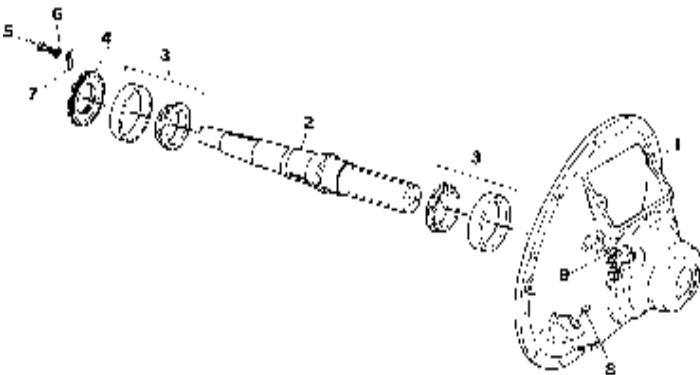


1 Plate 6"
1 Plate 7"

Model CO1-06-5A
Model CO1-07-5A

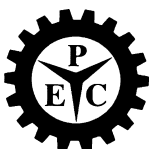


Assemblies: 7X-850-4 CONVERSION KIT W/1 7/16 OUTPUT
 7X-850-5 CONVERSION KIT W/1 7/16 OUTPUT
 7X-850-6 CONVERSION KIT W/1 7/16 OUTPUT
 7X-851-4 CONVERSION KIT W/1 3/4 OUTPUT
 7X-851-5 CONVERSION KIT W/1 3/4 OUTPUT
 7X-851-6 CONVERSION KIT W/1 3/4 OUTPUT



Parts Breakdown

Item#	Description	Part#	Quantity
1	Housing #4	7X-750-4	1
	Housing #5	7X-750-5	
2	Shaft [1 7/16 Solid]	7X-333	1
	Shaft [1 1/4 Solid]	7X-334	
3	Main Bearing	8X-285	2
4	Bearing Retainer	7X-340	1
5	Hex Head Screw	10-245	1
6	Lock Washer	10-250	1
7	Bearing Retainer Lock	14X-160	1
8	Fitting	10-262	2
9	Fitting	10-260	1



PEC Manufacturing

1-800-255-9975

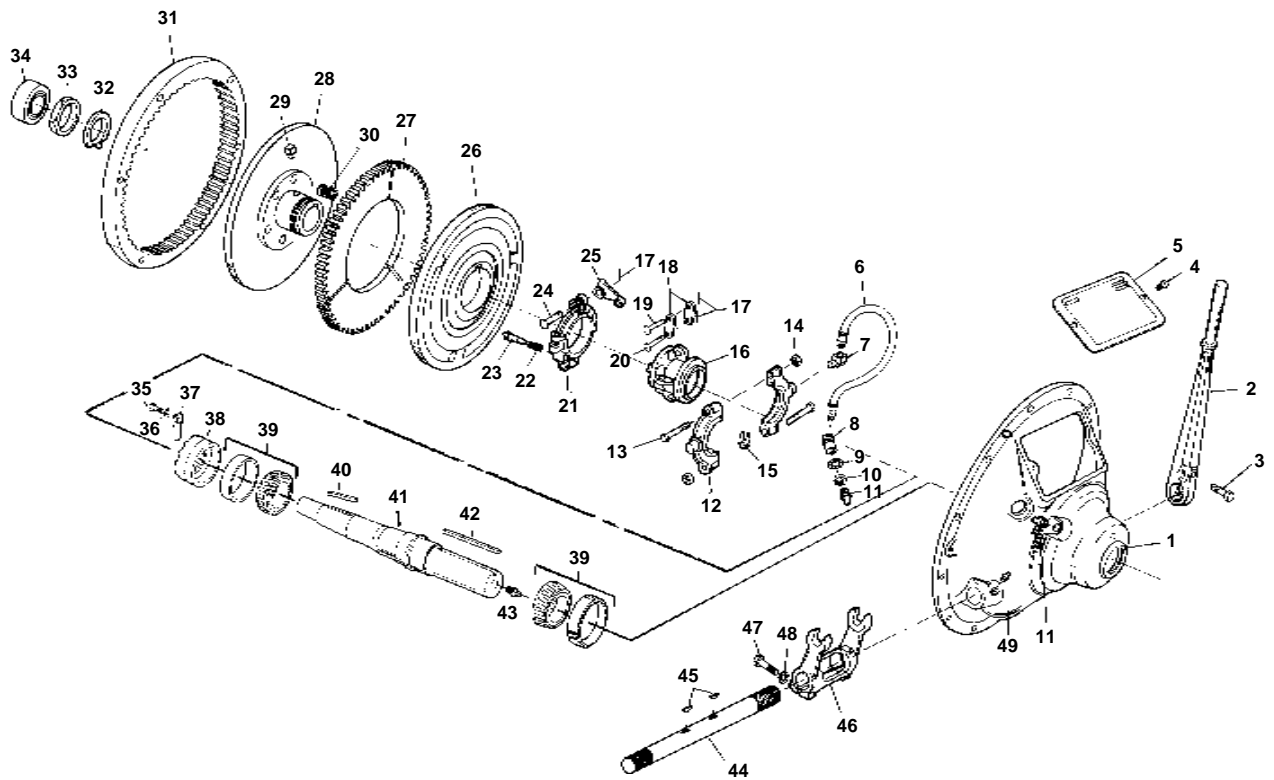
ITEM NO.	DESCRIPTION	PART NO.		QTY.
		1 PLATE 6 "	1 PLATE 7"	
		CO1-06-5A	CO1-07-5A	
1	HOUSING SAE #5	7X-291-5		1
2	HAND LEVER	10-214		1
3	HEX HEAD SCREW (incl. w/hand lever)	14X-253		1
4	ROUND HEAD SCREW	10-248		2
5	INSPECTION PLATE COVER	7X-316		1
6-8	GREASE HOSE ASSEMBLY	10-801		1
6	GREASE HOSE	10-227		1
7	FITTING	10-230		1
8	FITTING	10-229		1
9	LOCK WASHER	10-252		1
10	JAM NUT	10-247		1
11	FITTING	10-260		2
12-30	CLUTCH PACK	CO1-06A	CO1-07A	1
12-20	SLIDING SLEEVE ASSEMBLY	7X-500		1
12-15	BRASS COLLAR ASSEMBLY	10X-701		1
12	BRASS COLLAR	10X-123		1
13	HEX HEAD SCREW	10-244		2
14	HEX NUT	10-249		2
15	SHIM	10X-127		2
16	SLIDING SLEEVE	7X-304		1
17	COTTER PIN	10-264		8
18	LEVER LINK	7X-305		8
19	LEVER LINK PIN	7X-306		4
20	LEVER LINK PIN	7X-307		4
21-25, 17	ADJUSTING YOKE ASSEMBLY	7X-600		1
21	ADJUSTING YOKE	7X-299		1
22	ADJUSTING LOCK PIN SPRING	7X-303		1
23	ADJUSTING LOCK PIN	7X-302		1
24	LEVER PIN	7X-301		4
25	LEVER	7X-300		4
26	FLOATING PLATE	6X-323	7X-308	1
27	DRIVE PLATE (SOLID)	6X-099A	7X-100A	1
	DRIVE PLATE (3 PIECE)	6X-099	7X-100	1
28-29	HUB & BACK PLATE ASSEMBLY	6X-324A	7X-296A	1
28	HUB & BACK PLATE	6X-324	7X-296	1
29	PLATE PIN	7X-283		1
30	RELEASE SPRING	7X-310		6
31	DRIVING RING	6X-325	7X-312	1
32	SHAFT WASHER	7X-313		1
33	SHAFT NUT	7X-314		1
34	PILOT BEARING *	7X-282		1
35	HEX HEAD SCREW	10-245		4
36	LOCK WASHER	10-250		4
37	BEARING RETAINER	7X-315		1
38	MAIN BEARING	7X-281		1
39	HUB KEY	7X-317		1
40	SNAP RING	7X-319		1
41	SHAFT (1 7/16 DRILLED)	7X-293		1
	SHAFT (1 3/4 DRILLED)	7X-293A		1
	SHAFT (1 3/4 SOLID)	7X-293B		1
42	OUTPUT KEY (1 7/16 shaft)	11X-235		1
	OUTPUT KEY (1 3/4 shaft)	7X-318		1
43	FITTING	10-261		1
44	OPERATING SHAFT	7-295		1
45	WOODRUFF KEY	10-233		2
46	THROWOUT YOKE	10X-175		1
47	HEX HEAD SCREW (incl. w/yoke)	10-246		2
48	LOCK WASHER (incl. w/yoke)	10-251		2
49	FITTING	10-262		2

*See Bearing Interchange for Optional Bearings on page 20.

1 Plate 6"
1 Plate 7"

Double Bearing
Style

Model CN1-06-5A
Model CN1-07-5A



PEC Manufacturing

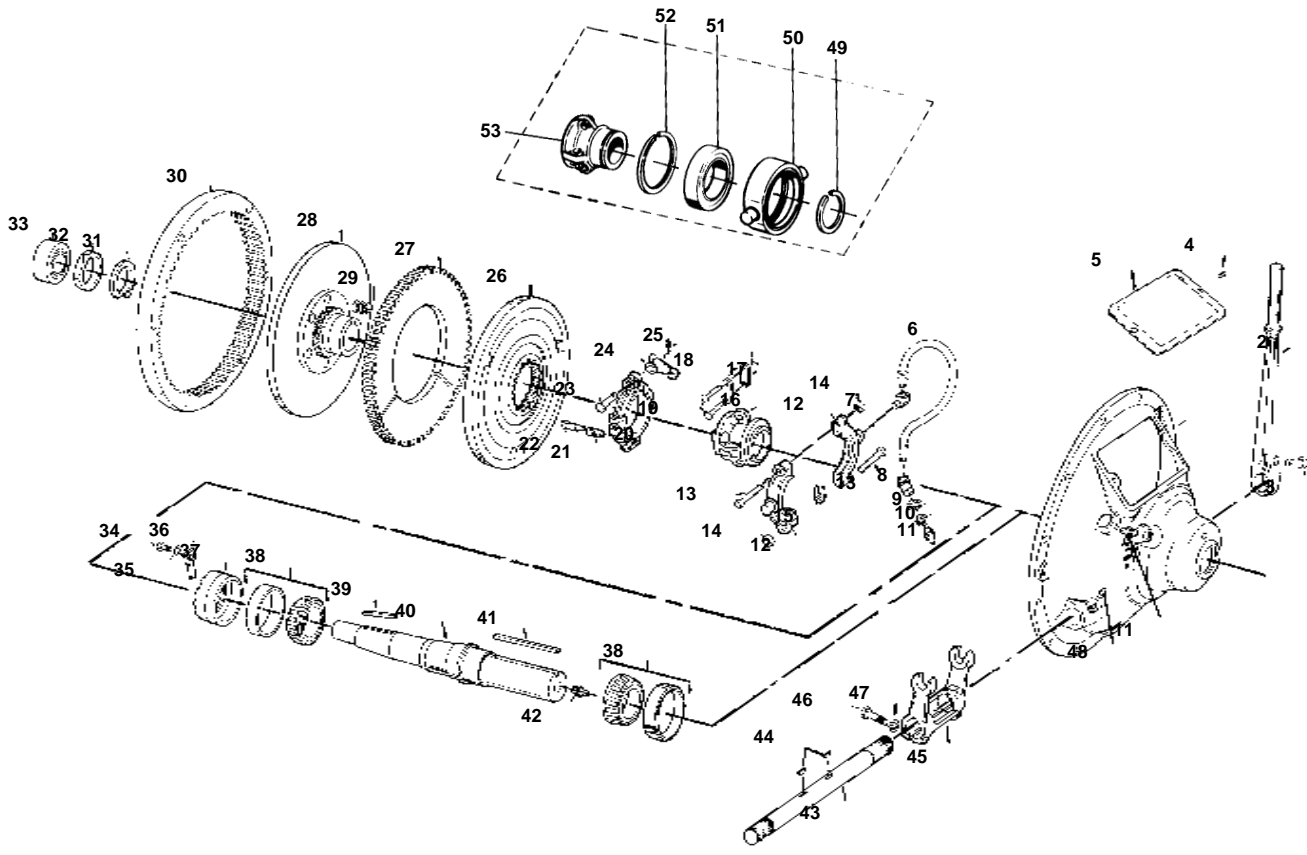
1-800-255-9975

ITEM NO.	DESCRIPTION	PART NO.		QTY.
		1 PLATE 6" CN1-06-5A	1 PLATE 7" CN1-07-5A	
1	HOUSING SAE #4		7X-750-4	1
	HOUSING SAE #5		7X-750-5	1
	HOUSING SAE #6		7X-750-6	1
2	HAND LEVER		10-214	1
3	HEX HEAD SCREW (incl. w/hand lever)		14X-253	1
4	ROUND HEAD SCREW		10-248	2
5	INSPECTION PLATE COVER		7X-316	1
6-8	GREASE HOSE ASSEMBLY		10-801	1
6	GREASE HOSE		10-227	1
7	FITTING		10-230	1
8	FITTING		10-229	1
9	LOCK WASHER		10-252	1
10	JAM NUT		10-247	1
11	FITTING		10-260	1
12-30	CLUTCH PACK	C01-06A	C01-07A	1
12-20	SLIDING SLEEVE ASSEMBLY		7X-500	1
12-15	BRASS COLLAR ASSEMBLY		10X-701	1
12	BRASS COLLAR		10X-123	1
13	HEX HEAD SCREW		10-244	2
14	HEX NUT		10-249	2
15	SHIM		10X-127	2
16	SLIDING SLEEVE		7X-304	1
17	COTTER PIN		10-264	8
18	LEVER LINK		7X-305	8
19	LEVER LINK PIN		7X-306	4
20	LEVER LINK PIN		7X-307	4
21-25, 17	ADJUSTING YOKE ASSEMBLY		7X-600	1
21	ADJUSTING YOKE		7X-299	1
22	ADJUSTING LOCK PIN SPRING		7X-303	1
23	ADJUSTING LOCK PIN		7X-302	1
24	LEVER PIN		7X-301	4
25	LEVER		7X-300	4
26	FLOATING PLATE	6X-323	7X-308	1
27	DRIVE PLATE (SOLID)	6X-099A	7X-100A	1
	DRIVE PLATE (3 PIECE)	6X-099	7X-100	1
28-29	HUB & BACK PLATE ASSY.	6X-324A	7X-296A	1
28	HUB & BACK PLATE	6X-324	7X-296	1
29	PLATE PIN		7X-283	1
30	RELEASE SPRING		7X-310	6
31	DRIVING RING	6X-325	7X-312	1
32	SHAFT WASHER		7X-313	1
33	SHAFT NUT		7X-314	1
34	PILOT BEARING *		7X-282	1
35	HEX HEAD SCREW		10-245	1
36	LOCK WASHER		10-250	1
37	BEARING RETAINER LOCK		10-159	1
38	BEARING RETAINER		7X-340	1
39	MAIN BEARING		8X-285	2
40	HUB KEY		7X-317	1
41	SHAFT (1 7/16 SOLID)		7X-333	1
	SHAFT (1 7/16 DRILLED)		7X-333A	1
	SHAFT (1 3/4 SOLID)		7X-334	1
	SHAFT (1 3/4 DRILLED)		7X-334A	1
42	OUTPUT KEY (1 7/16 SHAFT)		11X-235	1
	OUTPUT KEY (1 3/4 SHAFT)		7X-318	1
43	FITTING		10-261	1
44	OPERATING SHAFT		7-295	1
45	WOODRUFF KEY		10-233	2
46	THROWOUT YOKE		10X-175	1
47	HEX HEAD SCREW (incl. w/yoke)		10-246	2
48	LOCK WASHER (incl. w/yoke)		10-251	2
49	FITTING		10-262	2

*See Bearing Interchange for Optional Bearings on page 20.

1 Plate 8"
1 Plate 10"
1 Plate 11"

Model CO1-08-3A
Model CO1-10-3A
Model C1-11-3A



PEC Manufacturing

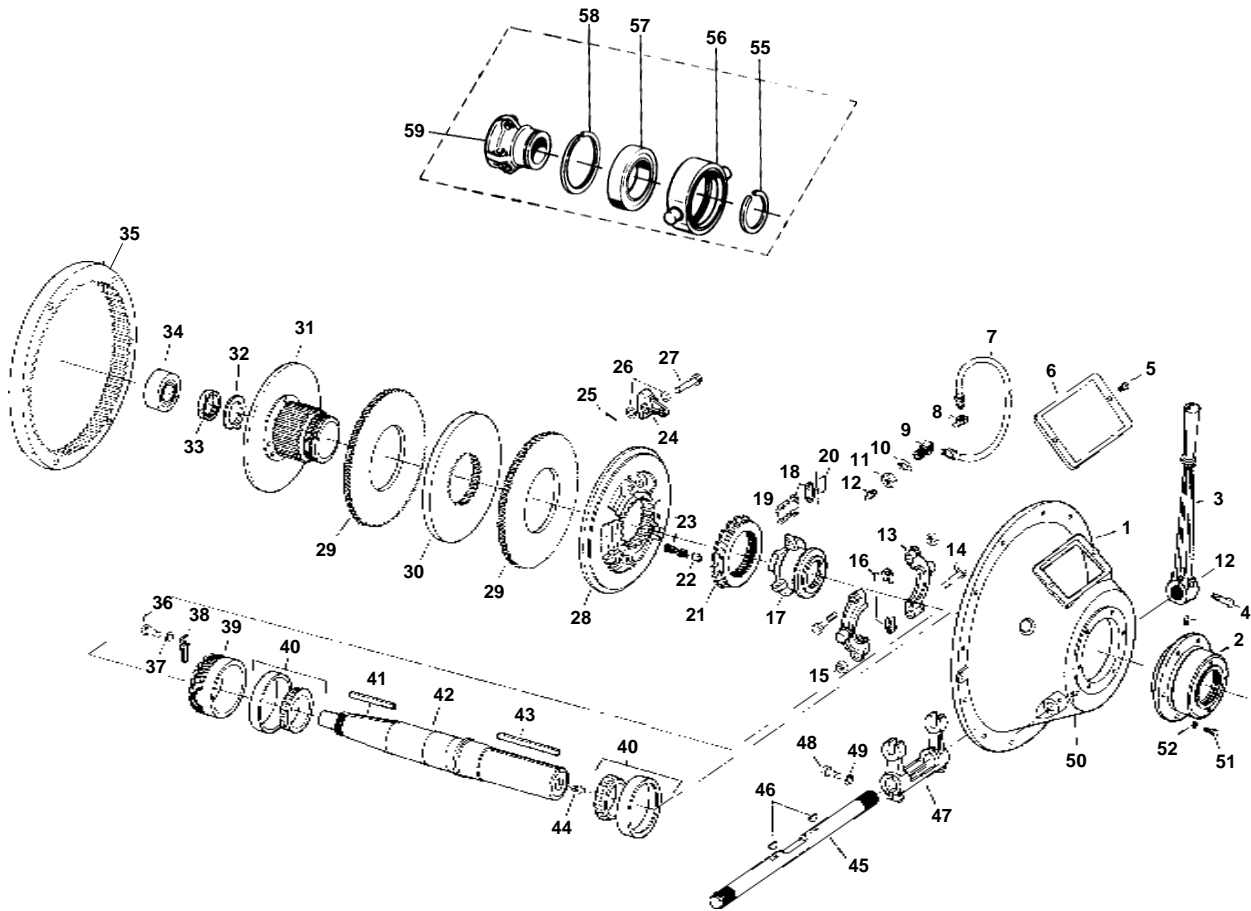
1-800-255-9975

ITEM	DESCRIPTION	PART NO.			QTY.
		1 PLATE 8" C01-08-3A	1 PLATE 10" C01-10-3A	1 PLATE 11" C1-11-3A	
1	HOUSING SAE #2		10X-101-2		1
	HOUSING SAE #3	8X-292-3	10X-101-3		1
	HOUSING SAE #4	8X-292-4	10X-101-4		1
	HOUSING SAE #5	8X-292-5			1
2	HAND LEVER		10-214		1
3	HEX HEAD SCREW (incl. w / hand lever)		14X-253		1
4	ROUND HEAD SCREW		10-248		2
5	INSPECTION PLATE COVER		10-272		1
	COVER FOR SAE #5	7X-316			1
6-8	GREASE HOSE ASSEMBLY		10-801		1
6	GREASE HOSE		10-227		1
7	FITTING		10-230		1
8	FITTING		10-229		1
9	LOCK WASHER		10-252		1
10	JAM NUT		10-247		1
11	FITTING		10-260		1
12-29	CLUTCH PACK	C01-08A	C01-10A	C1-11A	1
12-19	SLIDING SLEEVE ASSEMBLY		10X-501		1
12-15	BRASS COLLAR ASSEMBLY		10X-701		1
12	BRASS COLLAR		10X-123		1
13	HEX HEAD SCREW		10-244		2
14	HEX NUT		10-249		2
15	SHIM		10X-127		2
16	SLIDING SLEEVE		10X-191		1
17	COTTER PIN		10-264		1
18	LEVER LINK		10X-199		8
19	LEVER LINK PIN		10-203		8
20-25	ADJUSTING YOKE ASSEMBLY		10X-601		1
20	ADJUSTING YOKE		10X-172		1
21	ADJUSTING LOCK PIN SPRING		10X-188		1
22	ADJUSTING LOCK PIN		10X-185		1
23	LEVER PIN		10X-202		4
24	LEVER		10X-182		4
25	COTTER PIN		10-263		4
26	FLOATING PLATE	8X-309	10X-118	11X-418	1
27	DRIVE PLATE (SOLID)	8X-290A	10X-131A	11X-132A	1
	DRIVE PLATE (3 PIECE)	8X-290	10X-131	11X-132	1
28	HUB & BACK PLATE	8X-297	10X-112	11X-413	1
29	RELEASE SPRING	8X-311	10X-212		6
30	DRIVING RING	8X-298	10X-149	11X-150	1
31	SHAFT WASHER		10-167		1
32	SHAFT NUT		10X-161		1
33	PILOT BEARING *	8X-284	10-216		1
34	HEX HEAD SCREW		10-245		1
35	LOCK WASHER		10-250		1
36	BEARING RETAINER LOCK	14X-160	10-159		1
37	BEARING RETAINER	8X-329	10-155		1
38	MAIN BEARING	8X-285	10-221		2
39	HUB KEY		10X-232		1
40	SHAFT (SOLID)	8X-294A	10X-136A		1
	SHAFT (DRILLED)	8X-294	10X-136		1
41	OUTPUT KEY	8X-321	10X-231		1
42	FITTING		10-261		1
43	OPERATING SHAFT (SAE #2 & #3)		10X-142		1
	OPERATING SHAFT (SAE #4 & #5)		7-295		1
44	WOODRUFF KEY		10-233		2
45	THROWOUT YOKE		10X-175		1
46	HEX HEAD SCREW (incl. w / yoke)		10-246		2
47	LOCKWASHER (incl. w / yoke)		10-251		2
48	FITTING		10-262		2
49-53	BALL BEARING SLEEVE ASSEMBLY		10X-512		1
49	SNAP RING (sleeve)		11X-365		1
50	COLLAR		11X-349		1
51	BALL BEARING		11X-362		1
52	SNAP RING (collar)		11X-364		1
53	SLIDING SLEEVE		11X-354		1

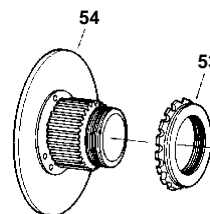
*See Bearing Interchange for Optional Bearings on page 20.

1 Plate 11"
2 Plate 11"

Model CO1-11-3A
Model CO2-11-3A



Marine and Special Applications



Coarse Threads



PEC Manufacturing

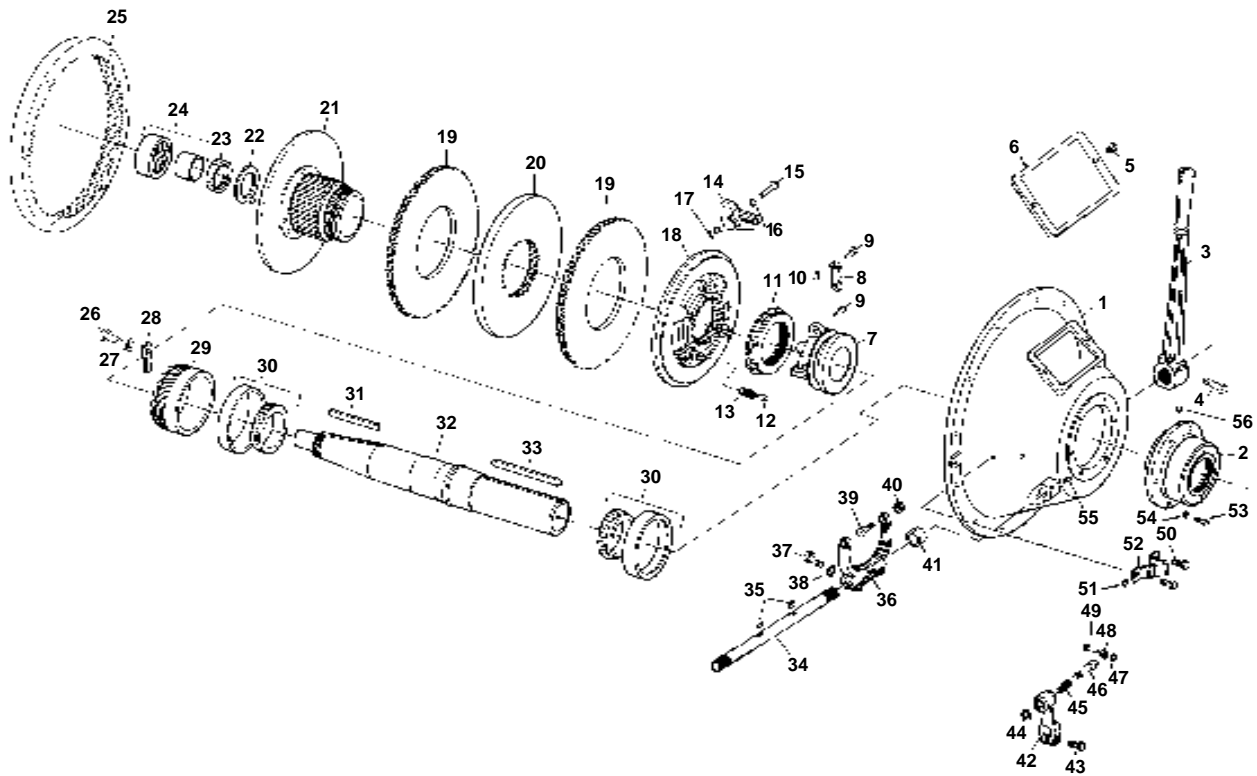
1-800-255-9975

ITEM NO.	DESCRIPTION	PART NO.		QTY.
		1 PLATE 11 "	2 PLATE 11"	
		CO1-11-3A	CO2-11-3A	
1	HOUSING SAE #1	11X-102-1		1
	HOUSING SAE #2	11X-102-2	11X-103-2	1
	HOUSING SAE #3	11X-102-3	11X-103-3	1
2	BEARING CARRIER	11X-102A	11X-103A	1
3	HAND LEVER		10-214	1
4	HEX HEAD SCREW(incl. w/ hand lever)		14X-253	1
5	ROUND HEAD SCREW		10-248	2
6	INSPECTION PLATE COVER		10-272	1
7-9	GREASE HOSE ASSEMBLY	10-801	14X-802	1
7	GREASE HOSE	10-227	14X-228	1
8	FITTING		10-230	1
9	FITTING		10-229	1
10	LOCK WASHER		10-252	1
11	JAM NUT		10-247	1
12	FITTING		10-260	1
13-31	CLUTCH PACK	C01-11A	C02-11A	1
13-20	SLIDING SLEEVE ASSEMBLY	11X-502	11X-503	1
13-16	BRASS COLLAR ASSEMBLY	11X-702	11X-703	1
13	BRASS COLLAR	11X-124	11X-125	1
14	HEX HEAD SCREW		10-244	2
15	HEX NUT		10-249	2
16	SHIM	11X-128	11X-129	2
17	SLIDING SLEEVE	11X-192	11X-196	1
18	LEVER LINK		11X-200	6
19	LEVER LINK PIN		10-203	6
20	COTTER PIN		10-264	6
21	ADJUSTING RING		11X-173	1
22	ADJUSTING LOCK PIN		11X-186	1
23	ADJUSTING LOCK PIN SPRING		11X-189	1
24	LEVER		11X-183	3
25	COTTER PIN		10-263	3
26	SPRING WASHER		11X-266	6
27	LEVER PIN		11X-205	3
28	FLOATING PLATE		11X-119	1
29	DRIVE PLATE (SOLID)	(1)11X-132A	(2)11X-132A	
	DRIVE PLATE (3 PIECE)	(1)11X-132	(2)11X-132	
30	CENTER PLATE		11X-121	1
31	HUB & BACK PLATE	11X-113	11X-114	1
32	SHAFT WASHER	10-167	11X-168	1
33	SHAFT NUT	11X-162	11X-163	1
34	PILOT BEARING *		10-216	1
35	DRIVING RING	11X-150	11X-151	1
36	HEX HEAD SCREW		10-245	1
37	LOCK WASHER		10-250	1
38	BEARING RETAINER LOCK		10-159	1
39	BEARING RETAINER	10-155	11X-156	1
40	MAIN BEARING	10-221	11X-222	2
41	HUB KEY	11X-235	11X-236	1
42	SHAFT (SOLID)	11X-137A	11X-138	1
	SHAFT (DRILLED)	11X-137	11X-138A	1
43	OUTPUT KEY		11X-234	1
44	FITTING		10-261	1
45	OPERATING SHAFT		11X-143	1
46	WOODRUFF KEY		10-233	2
47	THROWOUT YOKE	11X-176	11X-181	1
48	HEX HEAD SCREW (incl. w/yoke)		10-246	2
49	LOCK WASHER (incl. w/ yoke)		10-251	2
50	FITTING		10-262	2
51	HEX HEAD SCREW		14X-254	6
52	LOCK WASHER		14X-255	6
53	ADJUSTING RING (coarse thread)		11X-173 C	1
54	HUB & BACK PLATE (coarse thread)	11X-113C	11X-114 C	1
55-59	BALL BEARING SLEEVE ASSEMBLY	11X-513		1
55	SNAP RING (sleeve)	11X-365		1
56	COLLAR	11X-350		1
57	BALL BEARING	11X-362		1
58	SNAP RING (collar)	11X-364		1
59	SLIDING SLEEVE	11X-359		1

*See Bearing Interchange for Optional Bearings on page 20.

**2 Plate 11"
Limited Attendance**

Model CN2-11-3A



PEC Manufacturing

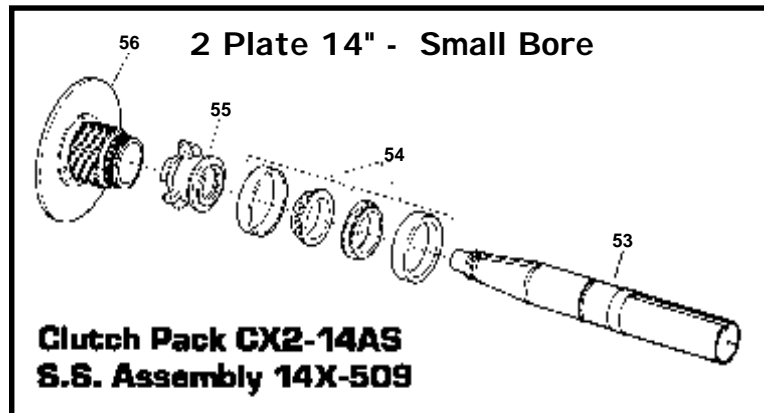
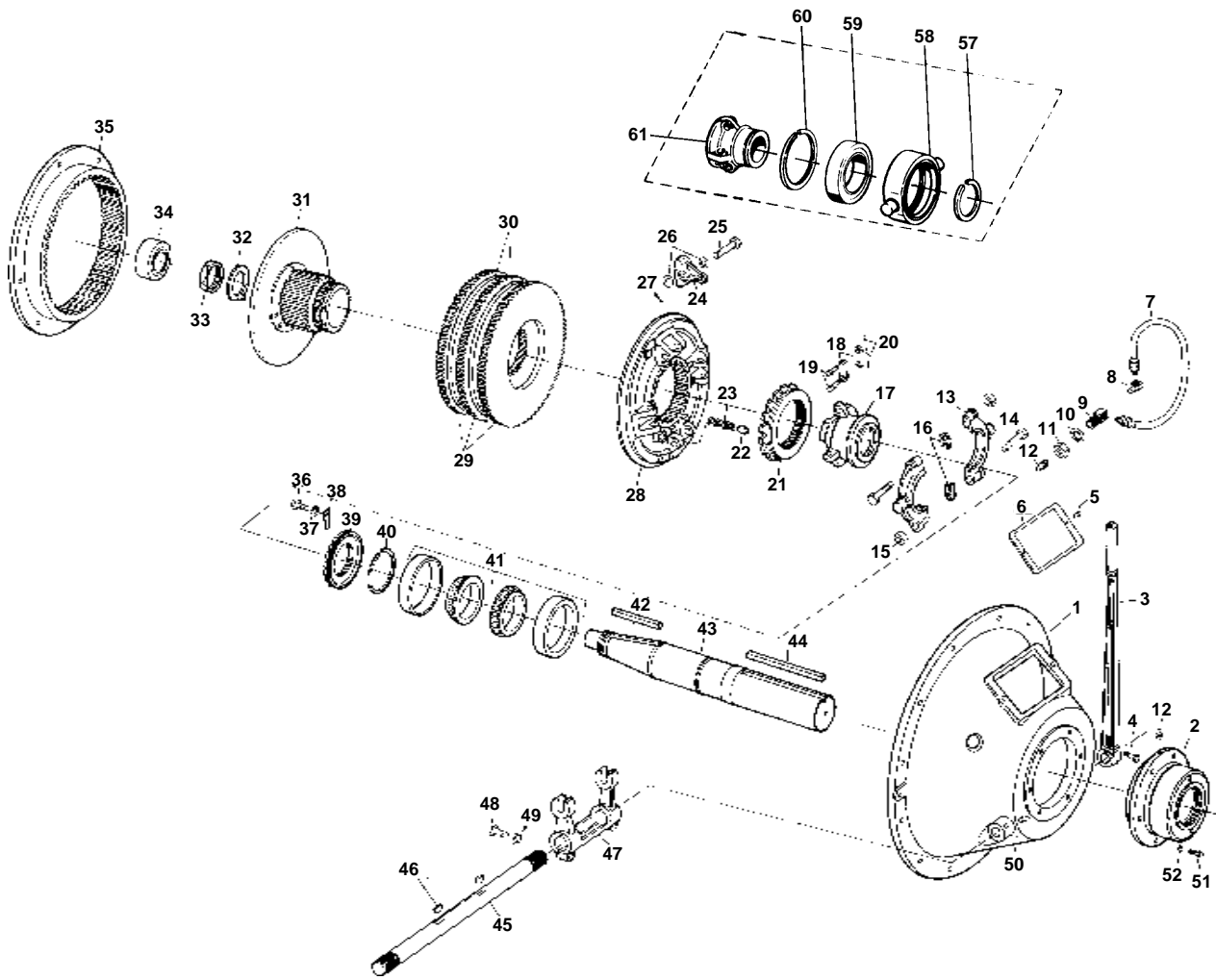
1-800-255-9975

ITEM NO.	DESCRIPTION	PART NO.	QTY.
		2 PLATE 11"	
		CN2-11-3A	
1	HOUSING SAE #2	11X-103-2	1
	HOUSING SAE #3	11X-103-3	1
2	BEARING CARRIER	11X-103A	1
3	HAND LEVER	10-214	1
4	HEX HEAD SCREW (incl. w/hand lever)	14X-253	1
5	ROUND HEAD SCREW	10-248	2
6	INSPECTION PLATE COVER	10-272	1
7-21	CLUTCH PACK	CN2-11A	1
7-10	SLIDING SLEEVE ASSEMBLY	11X-506	1
7	SLIDING SLEEVE	11X-193	1
8	LEVER LINK	11X-200	6
9	LEVER LINK PIN	10-203	6
10	COTTER PIN	10-264	6
11	ADJUSTING RING	11X-173	1
12	ADJUSTING LOCK PIN	11X-186	1
13	ADJUSTING LOCK PIN SPRING	11X-189	1
14	LEVER	11X-183	3
15	LEVER PIN	11X-205	3
16	SPRING WASHER	11X-266	6
17	COTTER PIN	10-263	3
18	FLOATING PLATE	11X-119	1
19	DRIVE PLATE (SOLID)	11X-132A	2
	DRIVE PLATE (3 PIECE)	11X-132	2
20	CENTER PLATE	11X-121	1
21	HUB & BACK PLATE	11X-114	1
22	SHAFT WASHER	11X-168	1
23	SHAFT NUT	11X-163	1
24	PILOT BEARING *	11X-218	1
25	DRIVING RING	11X-151	1
26	HEX HEAD SCREW	10-245	1
27	LOCK WASHER	10-250	1
28	BEARING RETAINER LOCK	10-159	1
29	BEARING RETAINER	11X-156	1
30	MAIN BEARING	11X-222	2
31	HUB KEY	11X-236	1
32	SHAFT (SOLID)	11X-138	1
	SHAFT (DRILLED)	11X-138A	1
33	OUTPUT KEY	11X-234	1
34	OPERATING SHAFT	11X-144	1
35	WOODRUFF KEY	10-233	2
36	THROWOUT YOKE	11X-177	1
37	HEX HEAD SCREW (incl. w/ yoke)	10-246	2
38	LOCK WASHER (incl. w/ yoke)	10-251	2
39	CAMROLL BEARING	11X-225	2
40	HEX NUT (incl. w/ camroll bearing)	10-249	2
41	STOP COLLAR	11-213	2
42-49	LOCATOR ASSEMBLY	11-901	1
42	NEUTRAL LOCK ARM	11-207	1
43	HEX HEAD SCREW	10-246	1
44	SNAP RING	11-268	1
45	SPRING	11-211	1
46	ROLLER PIN	11-210	1
47	RETAINING RING	11-269	1
48	DETENT ROLLER	11-209	1
49	HEADED PIN	11-208	1
50	HEX HEAD SCREW	14X-256	2
51	LOCK WASHER	10-251	2
52	DETENT LOCATOR	11-109	1
53	HEX HEAD SCREW	14X-254	6
54	LOCK WASHER	14X-255	6
55	FITTING	10-262	2
56	FITTING	10-260	1

*See Bearing Interchange for Optional Bearings on page 20.

1 Plate 14"
2 Plate 14"
3 Plate 14"

Model CO1-14-1A
Model CO2-14-1A
Model CO3-14-1A



PEC Manufacturing

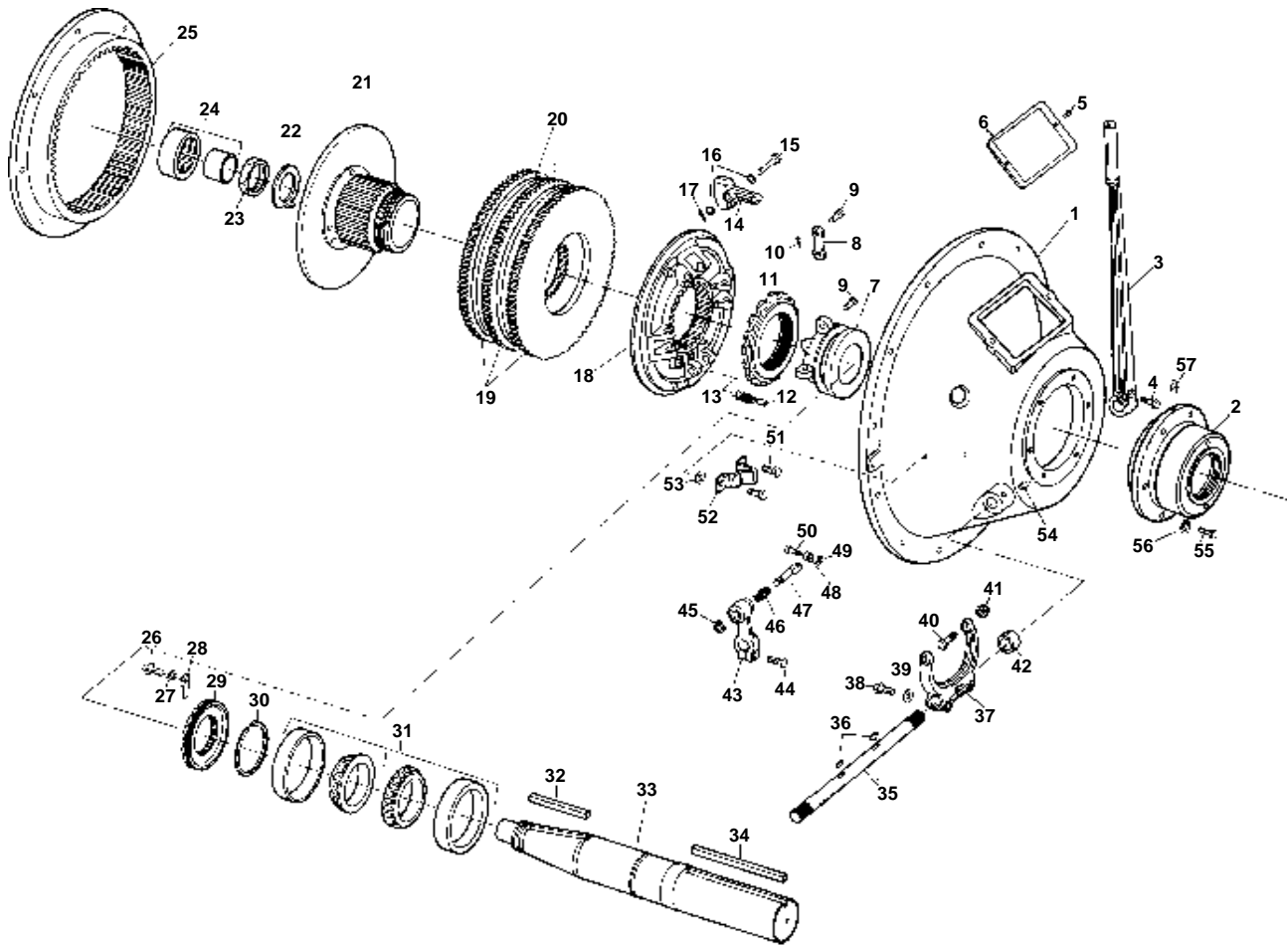
1-800-255-9975

ITEM NO.	DESCRIPTION	PART NO.			QTY.
		1 PLATE 14"	2 PLATE 14"	3 PLATE 14"	
		CO1-14-1A	CO2-14-1A	CO3-14-1A	
1	HOUSING SAE #0	N/A	14X-105-0	14X-106-0	1
	HOUSING SAE #1	14X-104-1	14X-105-1	14X-106-1	1
2	BEARING CARRIER	14X-104A	14X-107	14X-108	1
3	HAND LEVER		14X-215		1
4	HEX HEAD SCREW(incl. w/ hand lever)		14X-253		1
5	ROUND HEAD SCREW		10-248		2
6	INSPECTION PLATE COVER	(1) 10-272		(2) 10-272	
7-9	GREASE HOSE ASSEMBLY		14X-802		1
7	GREASE HOSE		14X-228		1
8	FITTING		10-230		1
9	FITTING		10-229		1
10	LOCK WASHER		10-252		1
11	JAM NUT		10-247		1
12	FITTING		10-260		1
13-31	CLUTCH PACK	CO1-14A	CO2-14A	CO3-14A	1
13-20	SLIDING SLEEVE ASSEMBLY	14X-504		14X-505	1
13-16	BRASS COLLAR ASSEMBLY		14X-704		1
13	BRASS COLLAR		14X-126		1
14	HEX HEAD SCREW		10-244		2
15	HEX NUT		10-249		2
16	SHIM		14X-130		2
17	SLIDING SLEEVE	14X-197		14X-198	1
18	LEVER LINK		14X-201		8
19	LEVER LINK PIN		14X-204		8
20	COTTER PIN		10-263		8
21	ADJUSTING RING		14X-174		1
22	ADJUSTING LOCK PIN		14X-187		1
23	ADJUSTING LOCK PIN SPRING		14X-190		1
24	LEVER	14X-184			4
25	LEVER PIN		14X-206		4
26	SPRING WASHER		14X-267		8
27	COTTER PIN		14X-265		4
28	FLOATING PLATE		14X-120		1
29	DRIVE PLATE (SOLID)	(1) 14X-133A	(2) 14X-133A	(3)14X-133A	
	DRIVE PLATE (3 PIECE)	(1) 14X-133	(2) 14X-133	(3) 14X-133	
30	CENTER PLATE	N/A	(1) 14X-122	(2) 14X-122	
31	HUB & BACK PLATE	14X-115	14X-116	14X-117	1
32	SHAFT WASHER	14X-169	14X-170	14X-171	1
33	SHAFT NUT	14X-164	14X-165	14X-166	1
34	PILOT BEARING *	14X-217	14X-217	14X-220	1
35	DRIVING RING	14X-152	14X-153	14X-154	1
36	HEX HEAD SCREW		10-245		1
37	LOCKWASHER		10-250		1
38	BEARING RETAINER LOCK		14X-160		1
39	BEARING RETAINER	14X-157	14X-158	14X-158A	1
40	SNAP RING	14X-270	N/A	14X-271	1
41	MAIN BEARING	14X-223		14X-224	2
42	HUB KEY	14X-238	14X-240	14X-242	1
43	SHAFT(SOLID)	14X-139	14X-140	14X-141	1
	SHAFT (DRILLED)	14X-139A	14X-140A	14X-141A	1
44	OUTPUT KEY	14X-237	14X-239	14X-241	1
45	OPERATING SHAFT SAE #0	N/A		14X-148	1
	OPERATING SHAFT SAE #1		14X-147		1
46	WOODRUFF KEY		10-233		2
47	THROWOUT YOKE		14X-180		1
48	HEX HEAD SCREW (incl. w/ yoke)		10-246		2
49	LOCK WASHER (incl. w/ yoke)		10-251		2
50	FITTING		10-262		2
51	HEX HEAD SCREW		14X-253		6
52	LOCK WASHER		14X-255		6
53	SHAFT (Drilled)		14X-327		1
54	MAIN BEARING		14X-328		2
55	SLIDING SLEEVE (3" Bore)		14X-322		1
56	HUB & BACK PLATE (Small Bore)		14X-116 A		1
57-61	BALL BEARING SLEEVE ASSEMBLY	14X-514		14X-515	1
57	SNAP RING(sleeve)		14X-366		1
58	COLLAR		14X-351		1
59	BALL BEARING		14X-363		1
60	SNAP RING (collar)		14X-367		1
61	SLIDING SLEEVE	14X-360		14X--361	1

*See Bearing Interchange for Optional Bearings on page 20.

1 Plate 14"
2 Plate 14" Limited Attendance
3 Plate 14"

Model CN1-14-1A
Model CN2-14-1A
Model CN3-14-1A



PEC Manufacturing

1-800-255-9975

ITEM NO.	DESCRIPTION	PART NO.			QTY.
		1 PLATE 14"	2 Plate 14"	3 PLATE 14"	
		CN1-14-1A	CN2-14-1A	CN3-14-1A	
1	HOUSING SAE #0	N/A	14X-105-0	14X-106-0	1
	HOUSING SAE #1	14X-104-1	14X-105-1	14X-106-1	1
2	BEARING CARRIER	14X-104A	14X-107	14X-108	1
3	HAND LEVER		14X-215		1
4	HEX HEAD SCREW(incl. w/ hand lever)		14X-253		1
5	ROUND HEAD SCREW		10-248		2
6	INSPECTION PLATE COVER	(1)10-272	(2)10-272		
7-21	CLUTCH PACK	CN1-14A	CN2-14A	CN3-14A	1
7-10	SLIDING SLEEVE ASSEMBLY	14X-507	14X-508		1
7	SLIDING SLEEVE	14X-194	14X-195		1
8	LEVER LINK		14X-201		8
9	LEVER LINK PIN		14X-204		8
10	COTTER PIN		10-263		8
11	ADJUSTING RING		14X-174		1
12	ADJUSTING LOCK PIN		14X-187		1
13	ADJUSTING LOCK PIN SPRING		14X-190		1
14	LEVER		14X-184		4
15	LEVER PIN		14X-206		4
16	SPRING WASHER		14X-267		8
17	COTTER PIN		14X-265		4
18	FLOATING PLATE		14X-120		1
19	DRIVE PLATE (SOLID)	(1) 14X-133A	(2)14X-133A	(3)14X-133A	
	DRIVE PLATE (3 PIECE)	(1)14X-133	(2)14X-133	(3)14X-133	
20	CENTER PLATE	N/A	(1)14X-122	(2)14X-122	
21	HUB & BACK PLATE	14X-115	14X-116	14X-117	1
22	SHAFT WASHER	14X-169	14X-170	14X-171	1
23	SHAFT NUT	14X-164	14X-165	14X-166	1
24	PILOT BEARING *	14X-219	14X-219	14X-220	1
25	DRIVING RING	14X-152	14X-153	14X-154	1
26	HEX HEAD SCREW		10-245		1
27	LOCK WASHER		10-250		1
28	BEARING RETAINER LOCK		14X-160		1
29	BEARING RETAINER	14X-157	14X-158	14X-158A	1
30	SNAP RING	14X-270	N/A	14X-271	1
31	MAIN BEARING	14X-223	14X-224		2
32	HUB KEY	14X-238	14X-240	14X-242	1
33	SHAFT (SOLID)	14X-139	14X-140	14X-141	1
	SHAFT (DRILLED)	14X-139A	14X-140A	14X-141A	1
34	OUTPUT KEY	14X-237	14X-239	14X-241	1
35	OPERATING SHAFT SAE #0	N/A	14X-146		1
	OPERATING SHAFT SAE #1		14X-145		1
36	WOODRUFF KEY		10-233		2
37	THROWOUT YOKE	14X-178	14X-179		1
38	HEX HEAD SCREW (incl. w/ yoke)		10-246		2
39	LOCK WASHER (incl. w/ yoke)		10-251		2
40	CAMROLL BEARING		14X-226		2
41	HEX NUT (incl. w/ camroll)		10-249		2
42	STOP COLLAR		11-213		2
43-50	LOCATOR ASSEMBLY		11-901		1
43	NEUTRAL LOCK ARM		11-207		1
44	HEX HEAD SCREW		10-246		1
45	SNAP RING		11-268		1
46	SPRING		11-211		1
47	ROLLER PIN		11-210		1
48	DETENT ROLLER		11-209		1
49	RETAINING RING		11-269		1
50	HEADED PIN		11-208		1
51	HEX HEAD SCREW		14X-256		2
52	DETENT LOCATOR SAE #0	N/A	14X-111		1
	DETENT LOCATOR SAE #1		14X-110		1
53	LOCK WASHER		10-251		2
54	FITTING		10-262		2
55	HEX HEAD SCREW		14X-253		6
56	LOCK WASHER		14X-255		6
57	FITTING		10-260		1

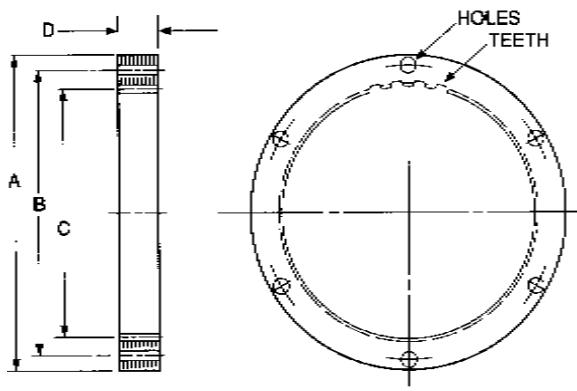
*See Bearing Interchange for Optional Bearings on page 20.

PTO Specifications

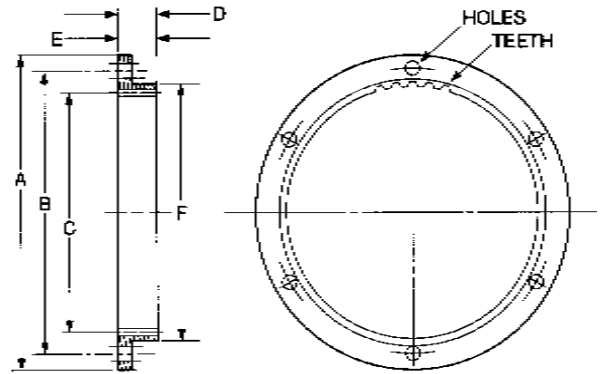
PEC PTO Model #	Available SAE Housing Number	Clutch Dia. ins/mm	Max. Torque Recommended lb-ft/kg	Max. engine H.P./M.H.P. Recommended			Max. safe operating speed (RPM)		Approx. Net Weight lb/kg
				Light duty	Normal duty	Heavy duty	Solid Plate	Split Plate	
CO1- 06	4, 5	6 1/2 165.10	178 21.91	40 40.15	27 27.25	20 20.28	3500	3500	53 24.00
CO1- 07	4, 5	7 1/2 190.50	234 26.12	53 53.05	35 35.06	27 27.41	3200	3200	55 24.92
CO1- 08	3, 4, 5	8 203.20	282 29.38	64 63.57	43 43.60	32 32.24	3100	3050	72 32.62
CO1- 10	2, 3, 4	10 254.0	427 48.50	97 96.79	65 65.90	49 49.56	3100	2650	115 52.10
CO1-11	2, 3	11 279.4	553 65.16	126 126.05	84 84.69	63 63.70	2850	2200	141 63.88
CO2-11 CN2-11	2, 3	11 279.4	1090 129.39	239 236.71	159 155.65	120 107.88	2850	2200	155 70.23
CO1-14 CN1-14	1	14 355.6	900 123.39	204 217.50	136 138.13	102 102.61	2400	1950	260 117.80
CO2-14 CN2-14	0, 1	14 355.6	1710 235.16	389 378.13	259 246.43	195 169.48	2500	1950	328 148.61
CO3-14 CN3-14	0, 1	14 355.6	2565 353.38	583 557.50	389 351.98	292 226.60	2500	1920	408 184.86

Note: shaded areas are metric.

LIGHT DUTY	NORMAL DUTY	HEAVY DUTY
<p>AGITATORS, pure liquids.</p> <p>BLOWERS, centrifugal, vane.</p> <p>CONVEYORS, uniformly loaded or fed, all types except reciprocating and vibrating.</p> <p>GENERATORS</p> <p>ELEVATORS, BUCKET, uniformly loaded or fed, all types.</p> <p>FEEDERS, disc type.</p> <p>PUMPS, centrifugal</p> <p>SCREENS, rotary, uniformly fed.</p> <p>MACHINES of all types with uniform loads non-reversing.</p>	<p>AGITATORS, (solids or semi solids).</p> <p>COMPRESSORS, centrifugal, reciprocating (3 or more cylinders).</p> <p>CONVEYORS, not uniformly loaded or fed, all types except reciprocating and vibrating.</p> <p>ELEVATORS, BUCKET, not uniformly loaded or fed.</p> <p>FEEDERS, (under bins, hoppers etc.) apron, belt, screw rotary vane.</p> <p>HOISTS</p> <p>KILNS, DRYERS, rotary.</p> <p>MILLS, ball pebble tube.</p> <p>PUMPS, reciprocating (3 or more cylinders).</p> <p>MACHINES of all types with moderate pulsating load, non-reversing.</p>	<p>COMPRESSORS, reciprocating (single or 2 cylinder).</p> <p>CONVEYORS, reciprocating and vibrating (natural frequency).</p> <p>CRUSHERS</p> <p>FEEDERS, reciprocating</p> <p>MILLS, hammer, rolling.</p> <p>PAPER MACHINERY, chipper and debarkers.</p> <p>MACHINES of all types with severe impact loads or speed vibration and reversing type.</p>



"A" TYPE

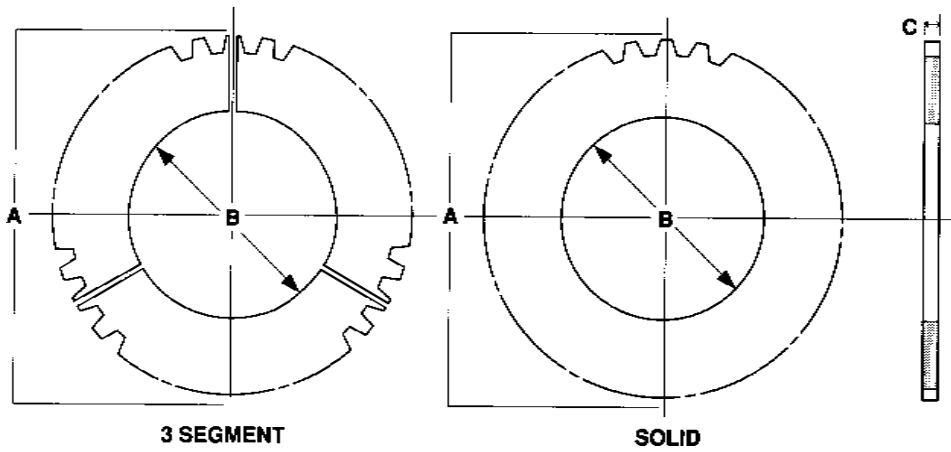


"B" TYPE

DRIVING RING DETAILS

PEC Driving Ring #	Driving Ring Type	A	B	C (Nominal)	D	E	F	Holes		Teeth No.	Approx. Net Weight lb/kg
								No.	Size		
6X-325	A	8-1/2 215.9	7-7/8 200.0	7 177.8	5/8 15.8	—	—	6	21/64 8.33	42	2-3/4 1.25
7X-312	A	9-1/2 241.3	8-3/4 225.4	7-13/16 198.4	5/8 15.8	—	—	8	21/64 8.33	47	3-3/8 1.53
8X-298	A	10-3/8 263.5	9-5/8 244.5	8-1/2 215.9	5/8 15.8	—	—	6	13/32 10.3	51	4-1/4 1.93
10X-149	A	12-3/8 314.3	11-5/8 295.3	10-1/2 266.7	7/8 22.2	—	—	8	13/32 10.3	63	7 3.17
11X-150	A	13-7/8 352.4	13-1/8 333.4	12 304.8	7/8 22.2	—	—	8	13/32 10.3	72	8 3.62
11X-151	A	13-7/8 352.4	13-1/8 333.4	12 304.8	1-7/8 47.6	—	—	8	13/32 10.3	72	18 8.16
14X-152	B	18-3/8 466.7	17-1/4 438.1	14-3/4 374.6	1-1/8 28.6	1/2 12.7	16 406.4	8	17/32 13.5	59	16-1/2 7.48
14X-153	B	18-3/8 466.7	17-1/4 438.1	14-3/4 374.6	2-3/8 60.33	1/2 12.7	16 406.4	8	17/32 13.5	59	25-3/4 11.67
14X-154	B	18-3/8 466.7	17-1/4 438.1	14-3/4 374.6	3-3/8 85.73	1/2 12.7	16 406.4	8	17/32 13.5	59	32-5/8 14.78

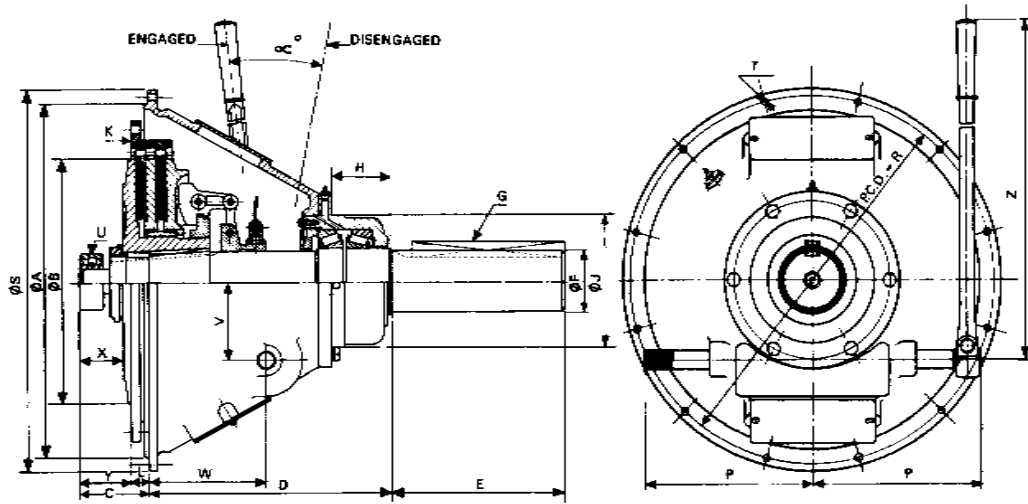
Note: shaded areas are metric.



DRIVE PLATE SPECIFICATIONS

PEC #	T.D. #	Outside Diameter Dim. A	Inside Diameter Dim. B	# Teeth	Thickness Dim.C	# Segments	Drive Ring #
6X-099	A-3507-E	7-1/4	3-5/8	42	7/16	3	6X-325
6X-099A	A-3507-D	7-1/4	3-5/8	42	7/16	1	6X-325
7X-100	A-5436-A	8-1/4	4-1/2	47	7/16	3	7X-312
7X-100A	A-5436	8-1/4	4-1/2	47	7/16	1	7X-312
8X-290	6479-S	8-3/4	5-1/2	51	7/16	3	8X-298
8X-290A	6479	8-3/4	5-1/2	51	7/16	1	8X-298
10X-131	5878-S	10-3/4	5-1/2	63	7/16	3	10X-149
10X-131A	5878	10-3/4	5-1/2	63	7/16	1	10X-149
10X-131B	06314-F	10-3/4	5-1/2	63	7/16	1	10X-149
11X-132	A-5579-A	12-1/4	6-1/4	72	7/16	3	(1) 11X-150 (2) 11X-151
11X-132A	A-5579	12-1/4	6-1/4	72	7/16	1	(1) 11X-150 (2) 11X-151
11X-132B	06310-L	12-1/4	6-1/4	72	7/16	1	(1) 11X-150 (2) 11X-151
14X-133	5659-L	15-5/32	7	59	5/8	3	(1) 14X-152 (2) 14X-153 (3) 14X-154
14X-133A	5659-Y	15-5/32	7	59	5/8	1	(1) 14X-152 (2) 14X-153 (3) 14X-154
14X-134	5659-N	15-5/32	9-1/4	59	5/8	3	(1) 14X-152 (2) 14X-153 (3) 14X-154
14X-134A	5659-M	15-5/32	9-1/4	59	5/8	1	(1) 14X-152 (2) 14X-153 (3) 14X-154
14X-134B	05499-E	15-5/32	9-1/4	59	5/8	1	(1) 14X-152 (2) 14X-153 (3) 14X-154
18X-135	5658-H	19-1/8	12-1/2	75	5/8	3	

PTO ASSEMBLY DRAWING



HOUSING SPECIFICATIONS

SAE Housing Number	A	R	S	T		P
				No.	Dia.	
6	10-1/2 266.7	11-1/4 285.7	12-1/8 307.9	8	13/32 10.3	7-3/4 196.8
5	12-3/8 314.3	13-1/8 333.3	14 355.6	8	13/32 10.3	7-3/4 196.8
4	14-1/4 361.9	15 381	15-7/8 403.2	12	13/32 10.3	7-3/4 196.8
3	16-1/8 409.5	16-7/8 428.6	17-3/4 450.8	12	13/32 10.3	9-3/4 247.6

SAE Housing Number	A	R	S	T		P
				No.	Dia.	
2	17-5/8 447.6	18-3/8 466.7	19-1/4 488.9	12	13/32 10.3	9-3/4 247.6
1	20-1/8 511.2	20-7/8 530.2	21-3/4 552.4	12	15/32 11.9	9-3/4 247.6
0	25-1/2 647.7	26-3/4 679.4	28 711.2	16	17/32 13.5	12-3/4 323.8

INSTALLATION DETAILS

PTO Model	Housing Length D	Shaft			Clutch dia. B	C	H	J	Pilot Bearing U			V	W	X	Y	L	Hand Lever Travel OC	Z	Driving Ring Number K
		Dia. F +0.000 -0.001 +0.000 -0.026	Length E	Keyway G					∅ +0.0000 -0.0005 +0.0000 -0.0125	Width +0.000 -0.005 +0.000 -0.125	Type								
001-06	5-9/16 141.30	1-7/16 36.50	3-1/2 88.9	3/8 x 3/16 9.52 x 4.76	6-1/2 165.1	2-13/16 71.44	7/8 22.22	4-1/2 114.3	2.0472 51.99	0.5856 14.87	205 SF	3 76.20	2-1/8 53.97	1-5/16 33.33	1-5/8 41.27	1-3/16 30.16	13°	15-3/8 390.52	6X-325
001-07	5-9/16 141.30	1-7/16 36.50	3-1/2 88.9	3/8 x 3/16 9.52 x 4.76	7-1/2 190.5	2-13/16 71.44	7/8 22.22	4-1/2 114.3	2.0472 51.99	0.5856 14.87	205 SF	3 76.20	2-1/8 53.97	1-5/16 33.33	1-5/8 41.27	1-3/16 30.16	13°	15-3/8 390.52	7X-312
CN1-06	7-1/16 179.40	1-7/16 36.50	3-1/2 88.9	3/8 x 3/16 9.52 x 4.76	6-1/2 165.1	2-13/16 71.44	2-11/32 59.53	5 127.0	2.0472 51.99	0.5856 14.87	205 SF	3 76.20	2-1/8 53.97	1-5/16 33.33	1-5/8 41.27	1-3/16 30.16	13°	15-3/8 390.52	6X-325
CN1-07	7-1/16 179.40	1-7/16 36.50	3-1/2 88.9	3/8 x 3/16 9.52 x 4.76	7-1/2 190.5	2-13/16 71.44	2-11/32 59.53	5 127.0	2.0472 51.99	0.5856 14.87	205 SF	3 76.20	2-1/8 53.97	1-5/16 33.33	1-5/8 41.27	1-3/16 30.16	13°	15-3/8 390.52	7X-312
C01-08	7-1/16 179.40	1-3/4 44.45	6 152.40	1/2 x 1/4 12.7 x 6.35	8 203.20	3-15/16 100.0	2-11/32 59.53	5 127.0	2.4409 61.99	0.6643 18.87	305 SF	3 76.20	1-7/8 47.62	1-1/4 31.75	1-1/2 38.10	2-7/16 60.90	17°	15-3/8 390.52	8X-298
C01-10	8-5/8 219.07	2-1/4 57.15	5-1/2 139.70	5/8 x 5/16 15.87 x 7.94	10 254.0	3-15/16 100.0	3-3/4 95.25	5-3/4 146.05	2.8346 71.99	1.1825 30.03	306 SFFC	3 76.20	2 50.80	1-9/16 39.70	1-13/16 46.04	2-1/8 53.97	15°	15-3/8 390.52	10X-149
C01-11	9-1/4 234.95	2-1/4 57.15	6-1/2 165.10	5/8 x 5/16 15.87 x 7.94	11-3/8 288.92	3-15/16 100.0	3-3/4 95.25	5-3/4 146.05	2.8346 71.99	1.1825 30.03	306 SFFC	3 76.20	3-3/16 80.96	1-5/16 49.20	2-3/8 60.32	1-9/16 39.70	15-1/2°	15-3/8 390.52	11X-150
C02-11 CN2-11	9-5/8 244.47	2-1/2 63.50	6-1/2 165.10	5/8 x 5/16 15.87 x 7.94	11-3/8 288.92	3-15/16 100.0	3 76.20	6-1/2 165.10	2.8346 71.99	1.1825 30.03	306 SFFC	3-3/4 95.25	4-1/16 103.20	2 50.80	2-3/8 60.32	1-9/16 39.70	15-1/2°	15-3/8 390.52	11X-151
C01-14 CN1-14	12-1/8 307.97	3 76.20	8-1/2 215.90	3/4 x 3/8 19.05 x 9.52	14 355.6	3-15/16 100.0	3-7/16 87.31	6-21/32 169.00	3.1496 79.99	1.370 34.80	307 SFFC	4-1/2 114.30	5-7/16 138.11	2-9/16 65.10	2-15/16 74.60	1 25.40	18°	23-3/8 593.72	14X-152
C02-14 CN2-14	13-3/4 349.25	3-1/2 88.90	10 254.00	7/8 x 7/16 22.22 x 11.11	14 355.6	3-15/16 100.0	3-3/8 85.72	7-1/2 190.50	3.1496 79.99	1.370 34.80	307 SFFC	4-1/2 114.30	6-5/8 168.27	2-7/16 61.90	2-15/16 74.60	1 25.40	18°	23-3/8 593.72	14X-153
C03-14 CN3-14	14-1/2 368.30	3-15/16 100.00	10 254.00	1 x 1/2 25.4 x 12.7	14 355.6	3-15/16 100.0	3-3/8 85.72	7-1/2 190.50	3.9370 100	1.7717 45	309 SFFC	4-1/2 114.30	7-3/4 196.85	2-1/2 63.50	2-15/16 74.60	1 25.40	18°	23-3/8 593.72	14X-154

Note: shaded areas are metric.

BEARING INTERCHANGE

PEC	TWIN DISC	NTN	SKF	TIMKEN	MCGILL	MRC	FAFNIR	ND	IKO
7X-281	M-177	6308-LL	6308-2RS			308-SZZ	308-NPP	Z-99308	
7X-282	M-141-A	6205-LL	6205-2RS			205-SZZ	205-KPP	Z-99505	
7X-326	M-141	6205-Z	6205-Z			205-SF	205-KD	7507	
7X-356									NAF25 x 40 x 17
8X-284	M-163-A	6305-LL	6305-2RS			305-SFF	305-KDD	Z-99605	
8X-285	M-1590	25521/25584	25521/25584	25521/25584					
8X-372		5203 LL							
10-216	M-224-A	63306LLBC	462306			306-SFFC	W-306-PP		
10-221	M-207	395/394-A	394A/395	394A/395					
10X-277	M-167	6306LL	6306-2RS						
10X-278	M-2262-A	63206LL	462206			206-SFFC	W-206-PP		
10X-331	M-1687	5206CZZ							
10X-332		63306ZZ							
11X-218	M-2467	RA1562EBL							
11X-222	M-2196	3920/3984	3920/3984	3920/3984					
11X-225	M-2292				CF-3/4-SB				CR-12-UU
11X-330	M-224	5306AZZ							
14X-217	M-1985-A	63307LLBC	462307			307-SFFC	W-307-PP		
14X-219	M-2529	RA1567EBL							
14X-220	M-2713	RA1572EBL							
14X-223	M-282	563/568	563/568	563/568					
14X-224	M-215	592-A/594	592-A/594	592-A/594					
14X-226	M-2241				CF-7/8-SB				CR-14-UU
14X-328	M-214	592-A/593	592-A/593	592-A/593					
14X-334	M-2137	NU2309LLU							
14X-336		5207AZZ							
14X-337	M-2327	63309LL							

PARTS INTERCHANGE

TWIN DISC	PEC	TWIN DISC	PEC	TWIN DISC	PEC
H18	7X-296A	B1430	11X-156	M2033BE	10X-231
H23	6X-324A	1442	14X-166	M2033BJ	11X-234
103F	10X-182	1473	8X-311	M2033BK	14X-242
110D3	7X-283	B1509B	11X-163	M2034P	14X-237
115	10X-188	B1509T	14X-165	M2034AL	14X-239
X117	11X-702	B1511E	11X-168	M2034BF	14X-241
X117B14	14X-704	B1511L	14X-170	M2035AB	14X-238
X117C8	10X-701	B1535B	10-264	M2035AC	14X-240
X117C10	11X-703	B1535C	10-263	2042	7X-302
119B2	10X-199	B1535D	14X-265	M2046L	10-250
119B14	14X-201	B1537A	7X-301	M2046S	10-251
120	11X-128	B1537B	7X-307	M2046AF	10-252
120C8	10X-127	B1537C	7X-306	M2047AA	14X-255
X125A	11X-176	B1537D	10-203	M2111H	11-268
M141	7X-326	B1538A	11X-205	M2115C	11X-266
M141A	7X-282	B1538B	14X-204	M2115D	14X-267
M163A	8X-284	B1538D	10X-202	2137	10X-191
M167	10X-277	B1540A	14X-206	M2137	14X-334
M177	7X-281	1580A	14X-148	B2147	10-155
M207	10-221	A1587	7X-313	M2196	11X-222
M214	14X-328	A1588	10-167	M2220	11X-362
M215	14X-224	A1589	14X-169	M2241	14X-226
M224	11X-330	A1590	14X-171	2245	10X-185
M224A	10-216	M1590	8X-285	M2262A	10X-278
M268	10-260	M1687	10X-331	A2286	7X-310
M282	14X-223	M1817	11-269	M2292	11X-225
M287	10-261	B1832A	11-210	B2340	11X-186
M303	14X-363	B1833A	11-209	B2341	14X-187
M503	10-262	M1930F	10-249	XB2343	11X-119A
A1002	7X-319	1965	7X-316	XB2345	14X-120A
X1037	10X-175	1965A	7X-357	2411	7X-300
A1069	10X-212	A1983	14X-160	M2467	11X-218
1086	14X-164	M1985A	14X-217	M2529	14X-219
1092	11X-162	1990	10X-172	2617	11X-200
1092A	10X-161	M2001E	10-245	A2622A	14X-366
1094C	14X-147	M2001H	14X-254	A2622C	11X-365
1144E	11X-143	M2002D	14X-256	A2622F	14X-270
1144F	10X-142	M2002G	14X-259	A2622K	14X-341
1144X	14X-146	M2002N	14X-257	A2622L	14X-271
1144Z	14X-145	M2002AG	10-246	A2669AM	11X-364
1144AK	11X-144	M2002BB	10-244	A2669W	14X-367
A1181	7X-315	M2004R	10-243	A2680	8X-329
1216	10-159	M2004W	14X-253	A2701BD	11X-189
1242	11-213	M2022Z	10-233	A2702BE	14X-190
M1283	10-229	M2023F	10-248	A2704BB	11-211
B1284	14X-184	M2027AN	10-247	M2713	14X-220
1293	14X-130	M2032X	7X-317	2727	7X-314
1294	11X-129	M2032Z	10X-232	2757	7-295
B1297D	11-208	M2032BE	11X-235	2815	10-272
B1304	11X-183	M2033D	7X-318	2815X	11X-275
M1332	14X-336	M2033X	11X-236	2816	14X-274
1382	7X-303	M2033AE	8X-321	A2888B	14X-258

TWIN DISC	PEC	TWIN DISC	PEC	TWIN DISC	PEC
2968	7X-305	A5188	11X-137	ZA6519A	14X-116A
2969	7X-304	A5188A	11X-137B	ZA6519E	14X-116
XB3001	11X-177	A5188AZ	11X-137A	A6603	14X-351
B3002	11X-193	A5189	14X-327	A6619	14X-141A
B3003	11X-109	A5190	14X-139A	A6619K	14X-141
A3024	6X-324	A5190AO	14X-139	ZA6620A	14X-115
XA3026	7X-293	A5190B	14X-139B	6625A	11X-150C
XA3026AN	7X-293A	A5194	14X-108	6625D	11X-150
XA3026BA	7X-293B	A5195	14X-107	A6635	14X-361
A3050	14X-157	A5436	7X-100A	A6635B	14X-360
A3087	7X-308	A5436A	7X-100	6661	7X-312
A3088	7X-296	A5579D	11X-132A	ZA6684A	11X-114
A3169	8X-309	A5579E	11X-132	A6690	11X-121
ZA3177C	8X-297	5658H	18X-135	A6691	11X-138A
3206	7X-299	5658P	18X-135A	A6691AC	11X-138
A3308	14X-158A	5659L	14X-133	A6691D	11X-138B
A3308B	14X-158	5659M	14X-134A	A6691K	14X-141
A3507D	6X-099A	5659N	14X-134	A6709	14X-194
A3507E	6X-099	5659Y	14X-133A	XA6710	14X-178
X3507	11X-181	5712B	14X-152	A6821	14X-195
X3799	10-214	5713D	14X-153	XA6822	14X-179
A3826	8X-294	5752	10X-118	6931	11X-151C
A3826H	8X-294A	5791	11X-418	6931T	11X-151
3951	6X-323	5805A	8X-298	6939	6X-325
A4237	11X-192	5878Q	10X-131A	CL6952	10X-131R
A4238	11X-173	5878R	10X-131	X7441T	14X-215
A4241	14X-174	6030	10X-112	7958	7X-291-5
A4362A	11X-349	6158	11X-413	8247	11X-102-2
A4422	11X-196	6187E	10X-149	8251	11X-102-1
A4434	11X-359	6479C	8X-290C	8252	11X-102-3
A4440A	11-207	6479K	8X-290A	8255	10X-101-3
A4441A	14X-110	6479L	8X-290	8424	14X-104-1
A4441B	14X-111	ZA6505A	11X-113	8718	14X-105-1
A4455	11X-354	A6506B	11X-119	8719E	14X-105-0
A4494	11X-350	ZA6511A	14X-117	8879	10X-101-4
A4507	10X-355	A6512C	14X-120	9118	8X-292-5
A4511	11X-341	A6513	14X-122	9120	8X-292-4
4879	10X-136	A6514	14X-198	9121	8X-292-3
4879AU	10X-136A	A6514A	14X-322	9584	14X-106-1
B5027	14X-140A	A6514B	14X-197	9617A	14X-106-0
B5027A	14X-140	A6515	14X-141C	9682	11X-103-2
X5091	14X-180	A6518A	14X-154	9977A	11X-103-3

NOTES

ASSEMBLY INTERCHANGE

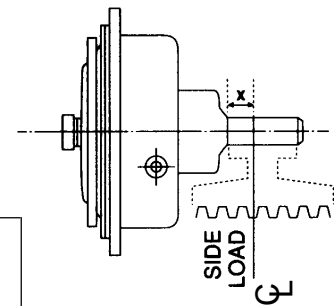
TWIN DISC PART NUMBER	PEC PART NUMBER	DESCRIPTION
A16	7X-600	Adjusting Yoke Assembly
A60	10X-601	Adjusting Yoke Assembly
XA-4440-A	11-901	Locator Assembly
A-1663	10-801	Grease Hose Assembly
A-1663-A	14X-802	Grease Hose Assembly
X117-C8	10X-701	Brass Collar Assembly
X117	11X-702	Brass Collar Assembly
X117-C10	11X-703	Brass Collar Assembly
X117-B14	14X-704	Brass Collar Assembly
S-384	10X-501	Sliding Sleeve Assembly
S-387	7X-500	Sliding Sleeve Assembly
S-598	14X-505	Sliding Sleeve Assembly
S-600	14X-509	Sliding Sleeve Assembly
S-601	11X-502	Sliding Sleeve Assembly
S-620	14X-504	Sliding Sleeve Assembly
S-630	14X-514	Sliding Sleeve Assembly
S-634	11X-503	Sliding Sleeve Assembly
S-641	14X-507	Sliding Sleeve Assembly
S-644	10X-512	Sliding Sleeve Assembly
S-650	10X-511	Sliding Sleeve Assembly
S-651	11X-510	Sliding Sleeve Assembly
S-670	11X-513	Sliding Sleeve Assembly
S-672	14X-508	Sliding Sleeve Assembly
S-697	14X-515	Sliding Sleeve Assembly
S-704	11X-506	Sliding Sleeve Assembly
C-106	C01-06A	Clutch Pack
C-107	C01-07A	Clutch Pack
C-108	C01-08A	Clutch Pack
C-110	C01-10A	Clutch Pack
C-111	C1-11A	Clutch Pack
SP-111	C01-11A	Clutch Pack
SP-211	CO2-11A	Clutch Pack
SP-114	CO1-14A	Clutch Pack
SP-214	CO2-14A	Clutch Pack
SP-314	CO3-14A	Clutch Pack
SPE-211	CN2-11A	Clutch Pack
SPE-114	CN1-14A	Clutch Pack
SPE-214	CN2-14A	Clutch Pack
SPE-314	CN3-14A	Clutch Pack
X-9586	CX2-14A	Clutch Pack (small bore)

COMPLETE POWER TAKE OFF ASSEMBLIES

Twin Disc Part Number	PEC Part Number
C-106-SP5	C01-06-5A
C-107-SP5	C01-07-5A
C-108-HP5	C01-08-5A
C-110-HP4	C01-10-4A
C-111-HP3	C1-11-3A
SP-111-HP3	C01-11-3A
SP-211-HP3	CO2-11-3A
SP-114-P1	C01-14-1A
SP-214-P1	CO2-14-1A
SP-314-P1	CO3-14-1A
SPE-211-HP3	CN2-11-3A
SPE-114-P1	CN1-14-1A
SPE-214-P1	CN2-14-1A
SPE-314-P1	CN3-14-1A

Allowable Side-Pull Loads For POWER TAKE-OFFS

PTO	RPM	'X' DISTANCE, INCHES / MM (See Sketch)											
		1/25	2/50	3/75	4/100	5/125	6/150	7/175	8/200	9/225			
C01-06 C01-07	1000	835 380	625 284	475 215	For determination of actual applied load, the following formula should be used. $L \text{ (lbs.)} = \frac{126000 \times \text{H.P.}}{N \times D \text{ (inch)}} \times F$ $L \text{ (Kgs.)} = \frac{1430000 \times \text{H.P. (Metric)}}{N.D. \text{ (mm)}} \times F$ WHERE: L = Actual load applied. N = Shaft speed in RPM. D = Pitch dia. of sheave. F = Load factor. ★ 1.0 for chain or gear drive. ★ 1.5 for timing belts. ★ 2.5 for all V belts. ★ 3.5 for flat belts. For all the severe shock drives, multiply above factors by 2.1 for added safety.								
	2000	665 302	595 270	475 215									
	3000	585 265	525 238	475 215									
CN1-06 CN1-07	1000	1075 488	795 360	635 288									
	2000	1075 488	795 360	635 288									
	3000	1075 488	795 360	635 288									
C01-08	1000	1495 680	1110 505	885 403								735 334	630 286
	2000	1495 680	1110 505	885 403								735 334	630 286
	3000	1495 680	1110 505	885 403								735 334	630 286
C01-10	1000	2740 1245	2190 995	1730 786								1430 650	1216 552
	1500	2420 1098	2190 995	1730 786	1430 650	1216 552							
	2000	2230 1100	2070 940	1730 786	1430 650	1216 552							
	2600	2050 1013	1910 868	1730 786	1430 650	1216 552							
C01-11	1000	2790 1268	2600 1182	2240 1018	1840 836	1570 713							
	1500	2630 1195	2450 1113	2240 1018	1840 836	1570 713							
	2000	2330 1059	2170 986	2030 922	1840 836	1570 713							
	2400	2140 972	1990 904	1865 847	1750 795	1570 713							
C02-11 CN2-11	1000	4540 2063	3395 1543	2710 1231	2255 1025	1930 877	1690 768						
	1500	4370 1986	3395 1543	2710 1231	2255 1025	1930 877	1690 768						
	2000	3900 1772	3395 1543	2710 1231	2255 1025	1930 877	1690 768						
	2400	3550 1613	3330 1513	2710 1231	2255 1025	1930 877	1690 768						
C01-14 CN1-14	1000	3390 1540	2600 1181	2120 963	1780 809	1535 697	1350 613	1210 505	1090 495				
	1500	3390 1540	2600 1181	2120 963	1780 809	1535 697	1350 613	1210 505	1090 495				
	2000	3390 1540	2600 1181	2120 963	1780 809	1535 697	1350 613	1210 505	1090 495				
	2200	3390 1540	2600 1181	2120 963	1780 809	1535 697	1350 613	1210 505	1090 495				
C02-14 CN2-14	1000	5980 2718	4700 2137	3880 1763	3290 1495	2870 1304	2540 1154	2270 1031	2060 936				
	1500	5980 2718	4700 2137	3880 1763	3290 1495	2870 1304	2540 1154	2270 1031	2060 936				
	2000	5980 2718	4700 2137	3880 1763	3290 1495	2870 1304	2540 1154	2270 1031	2060 936				
	2200	5980 2718	4700 2137	3880 1763	3290 1495	2870 1304	2540 1154	2270 1031	2060 936				
C03-14 CN3-14	1000	6170 2804	5120 2327	4200 1909	3570 1622	3100 1409	2740 1245	2460 1118	2220 1009	2035 925			
	1500	5350 2431	5120 2327	4200 1909	3570 1622	3100 1409	2740 1245	2460 1118	2220 1009	2035 925			
	2000	5025 2284	4750 2159	4200 1909	3570 1622	3100 1409	2740 1245	2460 1118	2220 1009	2035 925			
	With 80mm Pilot Bearing	4850 2204	4650 2113	4200 1909	3570 1622	3100 1409	2740 1245	2460 1118	2220 1009	2035 925			
C03-14 CN3-14	1000	6170 2804	5850 2659	5580 2536	4720 2146	4110 1868	3630 1650	3260 1431	2945 1338	2690 1222			
	1500	5350 2431	5120 2327	4850 2204	4650 2113	4110 1868	3630 1650	3260 1431	2945 1338	2690 1222			
	2000	5025 2284	4750 2159	4450 2022	4650 2113	4110 1868	3630 1650	3260 1431	2945 1338	2690 1222			
	With 100mm Pilot Bearing	4850 2204	4650 2113	4350 1977	4150 1886	4000 1818	3630 1650	3260 1431	2945 1338	2690 1222			



Note: shaded areas are metric.



PEC Manufacturing

WARRANTY

PEC Manufacturing guarantees all parts and assembled products against defective materials and workmanship for a period of 1 year or 2000 hours from the date such part or product is put into service.

PEC Manufacturing reserves the right to repair, replace or issue credit for any parts or products found by PEC to be defective in material or workmanship.

This warranty is void if the part or product failure is found by PEC to be the result of an accident, neglect, abuse or improper installation.

All parts or products for which warranty is claimed, must be returned to PEC Manufacturing within the warranty period, with transportation charges prepaid.

This warranty does not provide for labor or other costs incurred by buyer for removal and reinstallation of part or product covered by this warranty. Buyer assumes full responsibility for such labor and other costs.

Buyer agrees to indemnify and hold PEC Manufacturing harmless from and against any loss, liability, damages or expenses resulting from injury to persons or property, without limitation, due to acts or omissions of the buyer, its agents and employees in the installation, use and operation of products of PEC Manufacturing origin, and shall assert no claim against PEC Manufacturing for consequential damages.

PEC Manufacturing reserves the right to improve its products through changes in material or design without being obligated to incorporate such changes in products or prior manufacture. Any such changes in material or design cannot be used by buyer as proof of insufficiency or inadequacy of prior material or design.

This written warranty is the only warranty provided by PEC Manufacturing and supersedes all other warranties, express or implied.